

VENDOR: DINA CONSULTING
 612 ST SOUTH
 NAMPADAHO 83651
 P/N: LCD-1208956
 UOM: EA

CONTACT INFO:
 SALES REP: JOHN DINA
 PH: 1-208-440-1877
 EMAIL: JOHN@DINACONSULTING.COM

2 YEAR WARRANTY
 DESIGNED TO EXCEED EMC REQUIREMENTS IEC 60571

INPUT POWER

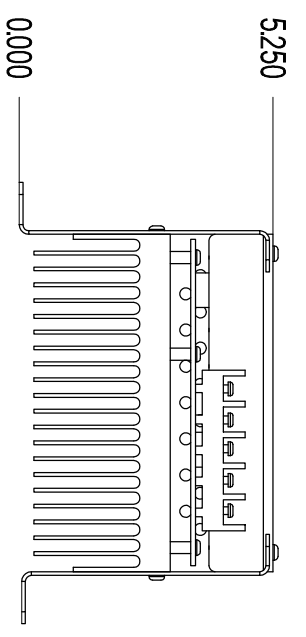
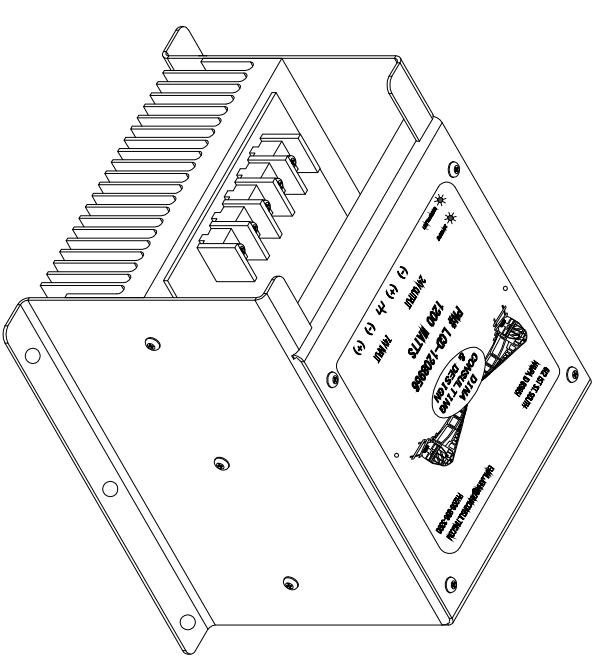
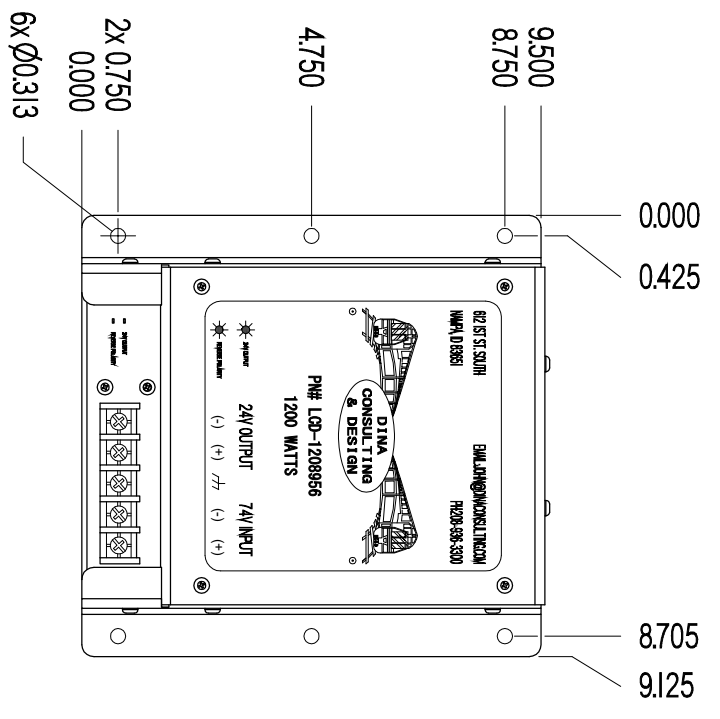
VOLTAGE RANGE: 43 VDC - 85 VDC
 (OFF AT 30 VDC)
 (ON AT 35 VDC)
UNDER VOLTAGE:
OUTPUT POWER

VOLTAGE:

CURRENT : 24 VDC
 1200 W
EFFICIENCY: 87.9%
VOLTAGE - ISOLATION: 3 KV (3000 V)
OVER PROT. SET POINT: 28 VDC

ENVIRONMENT

OPERATIONAL AMBIENT TEMP: -25 C TO +85 C
STORAGE TEMP: -30 C TO +100 C



REV	DESCRIPTION	DATE	REVISION HISTORY
-	INITIAL RELEASE		
			REVISOR: J MANGEAC CHECKED BY: DCD RELEASED BY: J. DINA
		07/12/16	

UNLESS OTHERWISE SPECIFIED, DIMENSIONS ARE IN INCHES. TOLERANCES ARE:		APPROVALS	
DECIMALS	FRACTIONS	DRAWN	JOMANGEAC
X = ±.2	XX = ±1/4	CHECKED	DCD
XX = ±.06	XXX = ±.010	ENGINEER	JDINA
			07/12/16
		FIRST USED	
		MODEL FILE	
		DRAFT FILE	
		LAST SAVED	

DC & D
 DINA CONSULTING & DESIGN
 612 1ST SOUTH
 NAMPADAHO
 83651

DESCRIPTION
 POWER SUPPLY, DC/DC CONVERTER
 74 / 24VDC 50AMP

DWG SIZE: B
 DRAWING NUMBER: LCD-1208956
 SCALE: 1/2
 WEIGHT: 13LBS
 SHEET: 01 OF 01